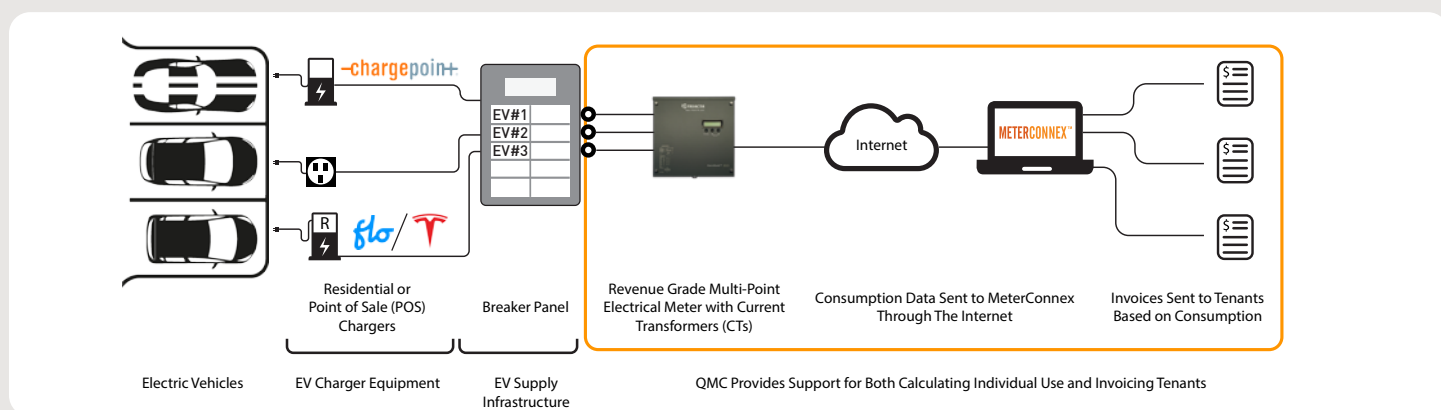




Integrated Submetering    

Smart Metering for EV Charging Stations

Gain accurate information on user charging for revenue and non-revenue metering.



Fair and Accurate Cost Allocation [\(Link\)](#)

EV charging continues to be a popular amenity for residential, commercial, and institutional properties.

However, properly metering and allocating costs can quickly turn into a frustrating issue for property managers and building owners, especially with new building codes that require EV stalls.

QMC can help.

After your preferred EV charger is installed, QMC provides support for calculating individual use and invoicing tenants, along with the ability to export data to any preferred software you may be using.



Metering of each receptacle will ensure fair and accurate cost allocation for the energy consumed by each vehicle being charged. QMC's smart meters can work with any consumer-grade or industrial grade EV charger.

QMC's Smart Meter Solution

QMC's solution includes the design, budgeting and supply of:

- Electricity meters and communication equipment
- Reporting software or integration to existing systems
- All related services, such as contractor coordination, verification, etc.

Reporting and Billing

- Smart meter data is pushed to the [MeterConnex™](#) platform on a daily basis
- Property managers are able to create reports in mainstay formats (Excel, .CSV, .PDF) for tenants or for the entire property for billing processes
- Reports include a charger per kWhr, meter fee (if applicable) and PST/GST if required



Contact us to implement a smart metering solution today!



VANCOUVER | TORONTO | EDMONTON | CALGARY | OTTAWA | MONTREAL | SAN FRANCISCO
 TOLL FREE 1 (877) 358 5155 | US 1 (415) 770 2246
QMETERS.COM / QMETERS.COM/US