



MiniCloset-5c Commercial



Dimensions:

H45.7cm x W27.3cm x D15.2cm
(18.00"H x 10.75"W x 6.0"D)

PLC Smart Metering: The Commercial Office and Retail Solution

The MiniCloset-5c (MC-5c) meter offers Quadlogic's same reliable MiniCloset technology re-engineered into just one **box**. This small footprint saves space, while maintaining ease of installation and cost-savings. The MC-5c provides interval data as well as real-time power diagnostics by phase. All metering data is securely stored in a non-volatile flash memory.

✓ *Proven Technology*

✓ *Easy Installation*

✓ *Energy Savings & Demand Management*

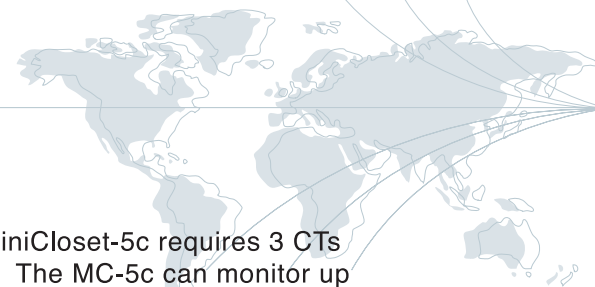
Features

25¹⁹⁸²⁻²⁰⁰⁷
ANNIVERSARY years

- Monitors up to 8 three-phase commercial customers
- Utility grade kWh and demand meter
- Built-in Power Line Communications (PLC) for remote meter reading
- Measurement Canada (AE-1148) and UL-C (E 204142) approved
- Uses 5 Amp CTs; remove only meter head for re-verification
- Interval data down to 5 minutes
- Event reporting (power downs, demand resets, tampers, etc.)
- Non-volatile flash memory
- Three-year manufacturer's warranty
- Options: Modem/232/485, RS-485, Pulse data inputs (water, gas, BTU)

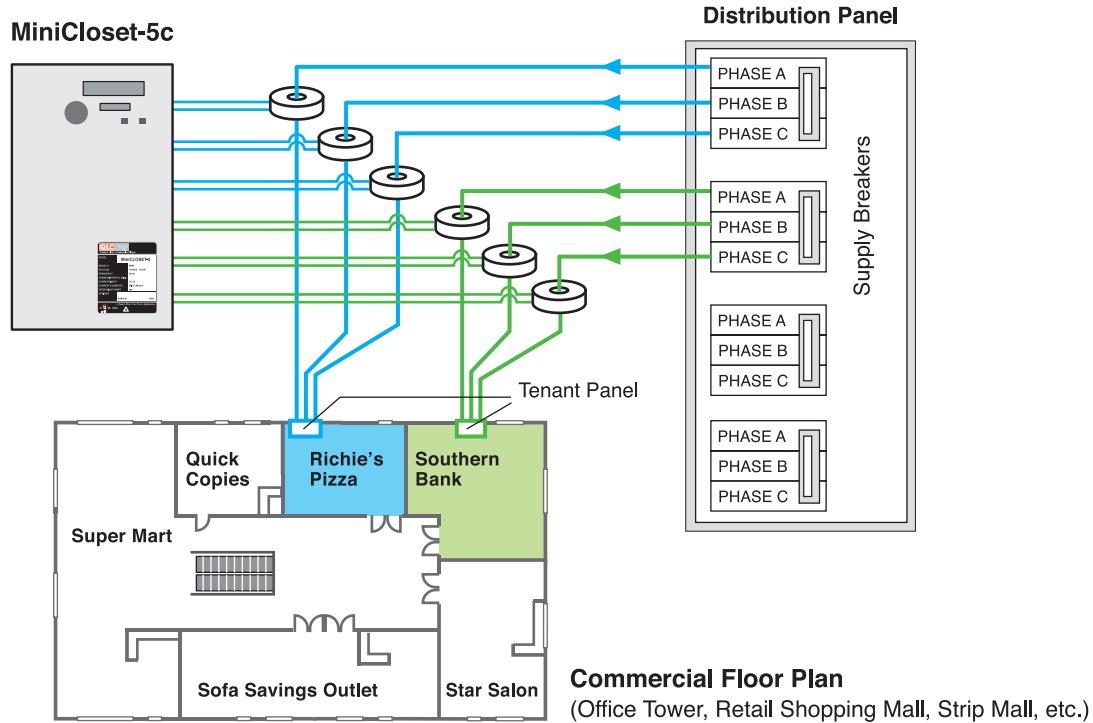
MiniCloset-5c

Multi-Tenant Meter



3-Phase Commercial Wiring

For typical 3-phase, 4-wire commercial installations, the Quadlogic MiniCloset-5c requires 3 CTs per meter point (2 CTs per meter point for Delta configured MC-5c's). The MC-5c can monitor up to a total of 8 commercial meter points using 24 CTs (8 meter points x 3 CTs per point). Each CT will connect to the MiniCloset Interface Board (MCI) which is in the enclosure. Installations will vary based on the configuration of the meter.



Model Numbers

The Commercial MC-5c consists of a Meterhead and an Enclosure. Please select from the following catalog numbers. Required current transformers are sold separately.

Meter Type Volts H=CL10 # of three-phase loads monitored, C = Commercial

MC5c 347VX H 08C with option: M=Modem/232/485
 RS=RS-485
 P=Pulse Data Module

	Voltage	Meterpoints	Catalog #	Enclosure
3-Phase, 4-Wire WYE, 5Amp	120/208V	6	MC5c120VX H 06C	MC5c BBA 120V CDN
	120/208V	8	MC5c120VX H 08C	MC5c BBA 120V CDN
	347/600V	6	MC5c347VX H 06C	MC5c BBA 347V CDN
	347/600V	8	MC5c347VX H 08C	MC5c BBA 347V CDN

	Voltage	Meterpoints	Catalog #	Enclosure
3-Phase, 3-Wire DELTA, 5Amp	600V	12	MC5c600VX H 12C	MC5c BBA 600V CDN

- Add suffix to Meterhead for desired option (M=Modem/232/485, RS=RS-485, P=Pulse Data Module).
- Add suffix **-E** to Enclosure when ordering Modem or RS-485.
- Single-phase and other models available. Contact manufacturer.